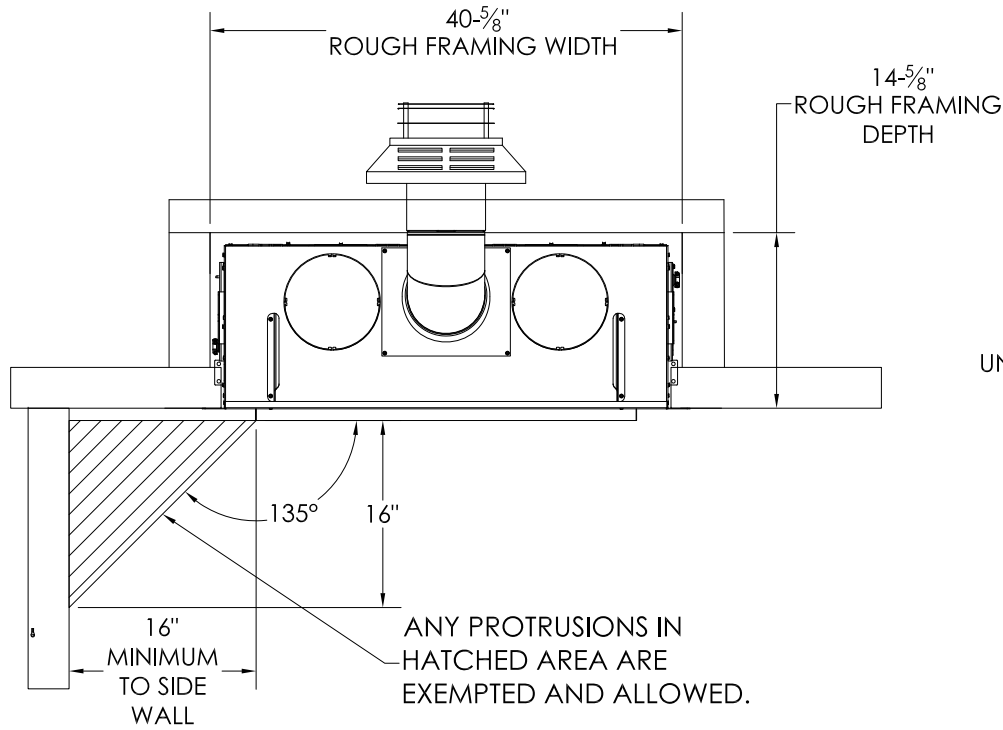
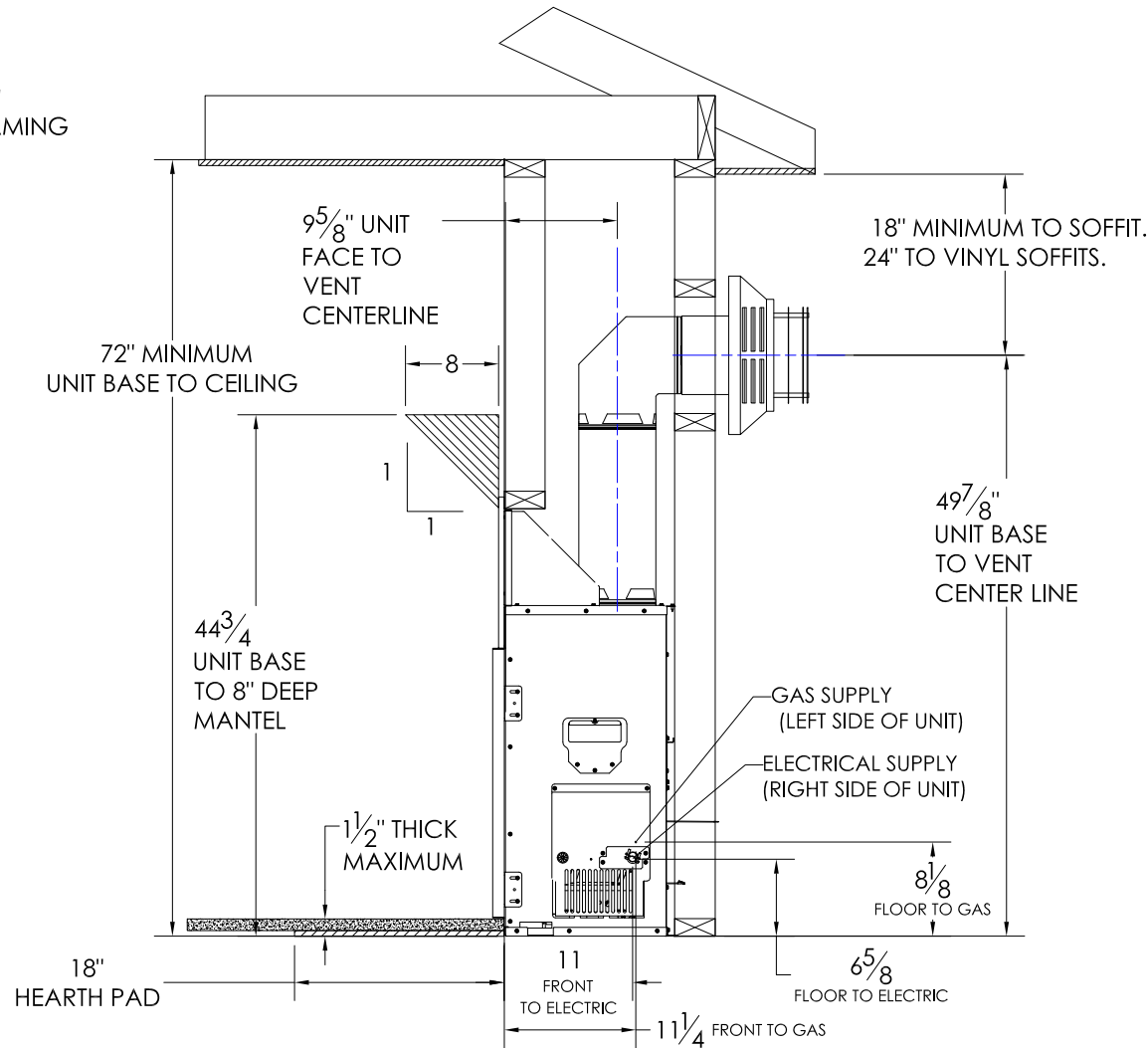
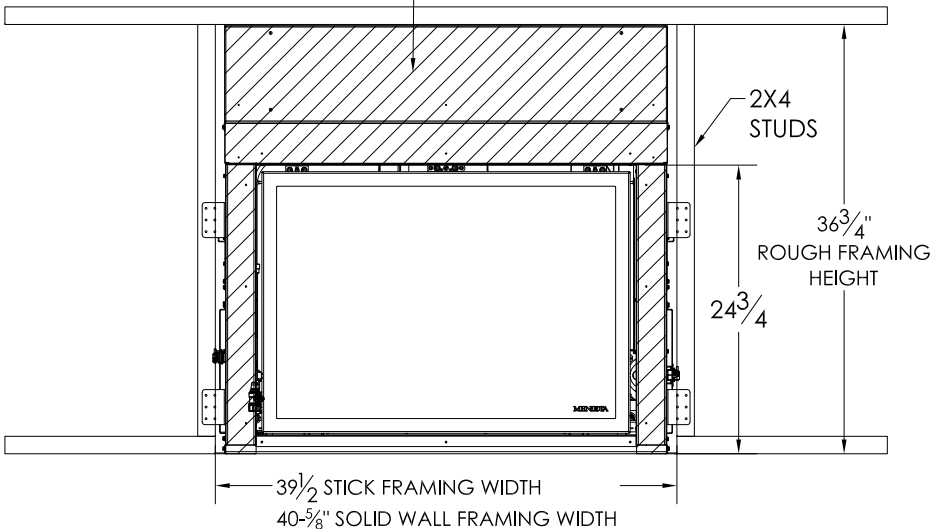


FV34 FULLVIEW AND DECOR/TIMBERLINE SPECIFICATIONS



HATCHED AREAS ARE NON-COMBUSTIBLE ZONES. RECOMMEND USE MICORE-300 1/2" AS BASE MATERIAL.



NOTE: For every 1" this fireplace is raised off the floor, the non-combustible hearth protection pad may be reduced by 2". If this fireplace is raised 6" or more off the floor, no hearth protection pad is required.

MINIMUM REQUIRED DIMENSIONS	
ROUGH FRAMING WIDTH	39-1/2" STICK FRAMING or 40-5/8" SOLID WALL FRAMING
ROUGH FRAMING HEIGHT	36-3/4"
ROUGH FRAMING DEPTH	14-5/8"
MINIMUM FINISHING MATERIALS TOTAL THICKNESS	1"
UNIT BASE TO ROOM CEILING MINIMUM DISTANCE	72"
MINIMUM DISTANCE TO 8" MANTEL ABOVE UNIT BASE	44-3/4"